

# LEAF LIBERY GROUP CO.,LTD

Http:www.leaflibery.com  
Tel: 86-0755-27631987

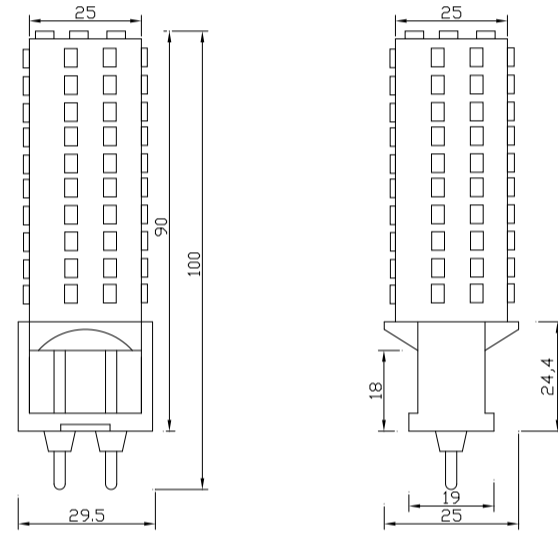
[www.leaflibery.net\(Outdoor\)](http://www.leaflibery.net(Outdoor)) Email:sales@leaflibery.com  
Fax:86-0755-33582576

Mob:+86-13723449791  
Skype:mary.led.light

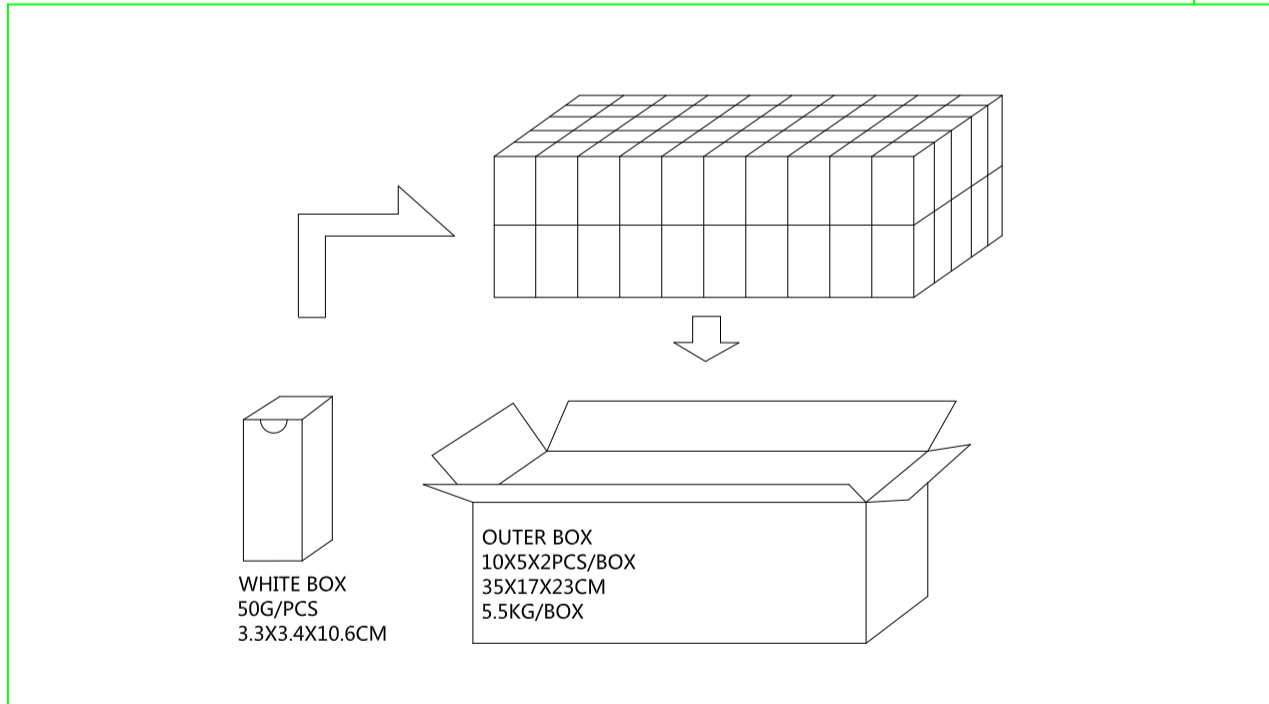
## LF-G12-SMD2835-10W

### Specifications

Model Number	G12-SMD2835-10W		
Dimension(mm)	90x30x25(L x Wx H)		
Led Source	LumenMax SMD2835		
Led Quantity	108PCS		
Power	10W		
Luminous	1000LM		
Color Temperature	Warm white 2800-3200K	Pure white 4000-4500K	Cool white 6000-6500K
CRI	82		
Input Voltage	AC 85-265V 50-60 Hz		
Dimmable	No		
Operating Temperature	-20°C~45°C		
Power Factor	/		
Beam angle	360°		
Lamp base	G12		
Material	Extruded aluminum heat sink		
Life Span	50,000hours		
Warranty	2years		
Applications			
Package	White box/customized		
Product Weight(kg)	0.055		
Carton Size (mm)	350*170*230(L x W xH)		
Qty/Ctn	100PCS		
Gross Weight(kg)	5.5		



### Packaging Specifications



We are a LED lighting manufactory who deal with smd5730 6w 8w 10w 12w plc gx23 high power plc 2pin plc rotatable led downlight,6w 8w 10w 12w plc g24/gx24/g23/gx23 g23 g24 led pl lamp plc rotatable,Energy Savings Lamp,360 degrees light LED G12 light 12W replace 150w halide ,G12 down light replacement ,G4,G9,

LED bulb, A19 LED, LED light manufacturer, A15 SMD, GY6.35 base, 12Volt led, G4 JC bi-pin, S11 LED, 120V lamp, E17 LED, candelabra led light, C7&C9 LED, LED fridge light, led cabinet lamp LED light bulb,led lamp in china,S14 LED light bulb,A19 dimmable led lamp,Candle led light,RGB LED color light,G4 LED,G9 12Volt,GY6.35 LED light bulb,GX53,GU24 LED bulb.

one of the leading manufacturer,we can provide E27 Edison led lamp base for european market,E26 edison led bulb light for America-USA,CANADA.E12 Candelabra Screw Base for your candle light,Christmas lights E17 for C9 bulbs, E12 C7 bulbs, E10 C6 LED bulb in the U.S.

B22 Bayonet Cap LED Bulbs,we can design according to your requirement,we can provide 12Volt led,24V LED,e10 60v bulbs,e26 4w 120v led light,e17 2w 100v light,220v 3w led e14,5w 230v e27 led,We can provide a range of wattage,3W,5W,7W,10W is very popular,

You are welcome OEM/ODM.